



### Features :

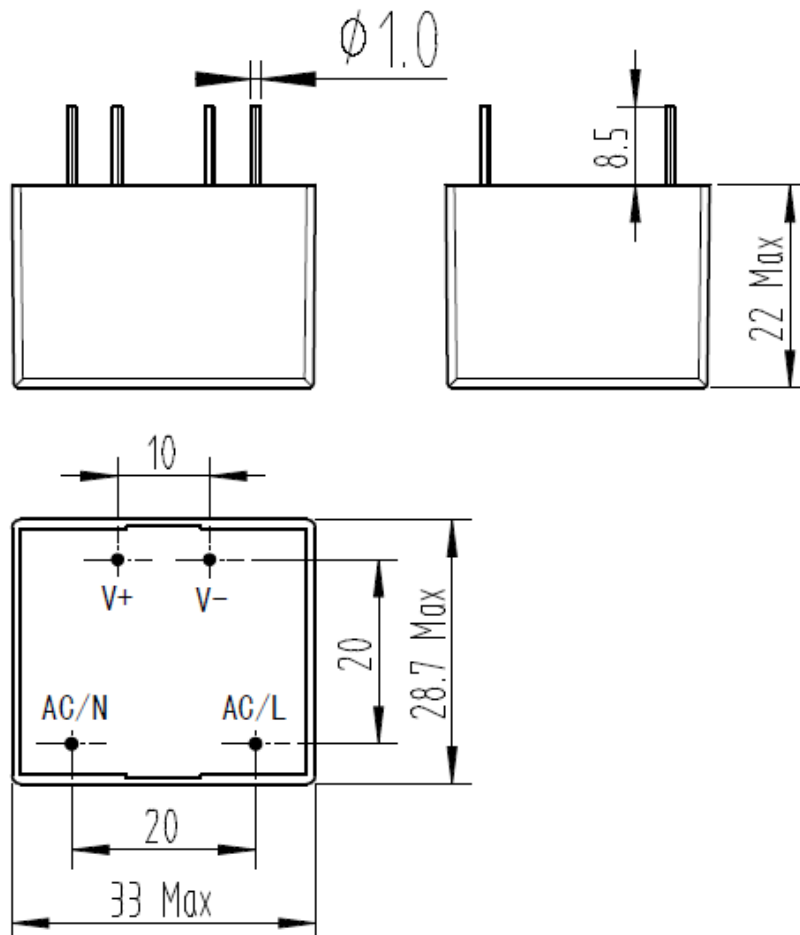
- Universal AC input/Full range
- Protections: Short circuit / Over current / Over voltage
- Fully encapsulated with IP65 level
- Cooling by free air convection
- Class II power unit
- Compact size
- Small and compact size
- 100% full load burn-in test
- Damp / wet location outdoor application
- 3 years warranty

### SPECIFICATION:

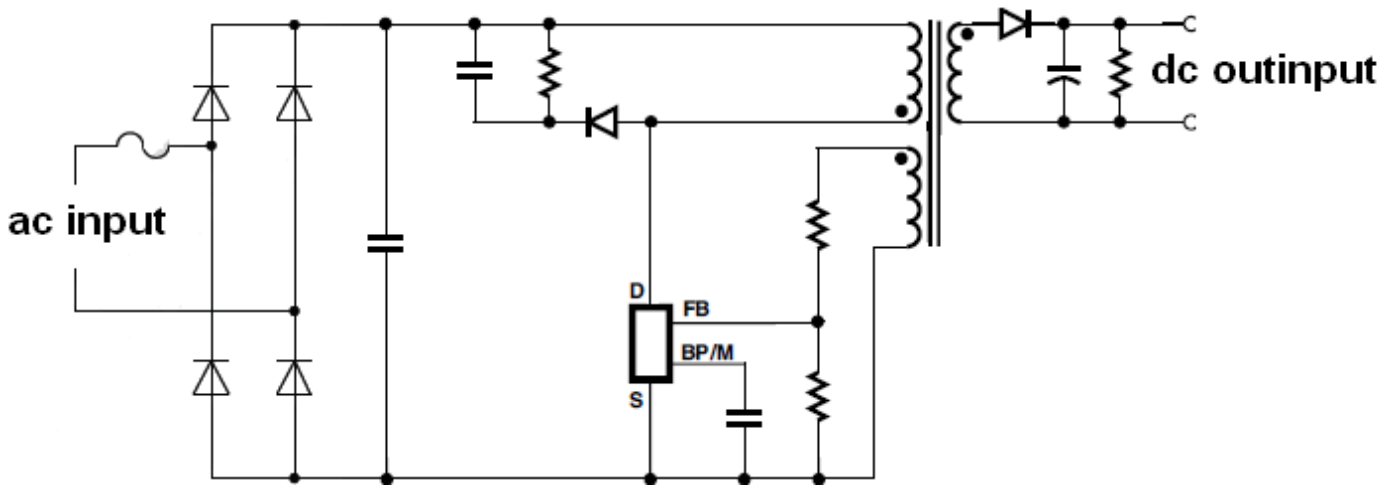
MODEL		LV5MK-5	LV5MK-9	LV5MK-12	LV5MK-15	LV5MK-24
OUTPUT	DC VOLTAGE	5V	9V	12V	15V	24V
	RATED CURRENT	0.8A	0.5A	0.4A	0.32A	0.21A
	CURRENT RANGE	0-0.8A	0-0.5A	0-0.4A	0-0.32A	0-0.21A
	RATED POWER	4W	4.5W	4.8W	4.8W	5.04W
	RIPPLE & NOISE (max.)	200mVp-p				
	VOLTAGE TOLERANCE	±4.0%				
	LINE REGULATION	±1.0%				
	LOAD REGULATION	±2.0%				
	SETUP,RISE TIME	30ms, 15ms at full load				
	HOLD UP TIME (Typ.)	10ms/ 115VAC		85 ms/ 230VAC at full load		
INPUT	VOLTAGE RANGE	85-264Vac (Max input voltage rated)				
	FREQUENCY RANGE	47~63Hz				
	EFFICIENCY(Typ.)	70%	72%	74%	75%	77%
	AC CURRENT(at full load)	0.10W/115VAC		0.06W/240VAC		
	INRUSH CURRENT (max.)	COLD START 40A/230VAC				
	LEAKAGE CURRENT	<0.5mA / 240VAC				
PROTECT ON	OVER CURRENT	110% ~ 130%				
		Protection type: Hiccup mode, recovers automatically after fault condition is removed.				
	OVER VOLTAGE	115%~142% rated output voltage				
		Protection type : Shut down o/p voltage, re-power on to recover				
EMRONMENT	WORKING TEMP.	-25°C~70°C (60°C at 80% Load/70°C at 45% Load)				
	WORKING HUMIDITY	20~95% RH non-condensing				
	STORAGE TEMP., HUMIDITY	-40~80°C, 10~95% RH				
	TEMP.COEFFICIENT	±0.03%/°C (0~50°C)				
	VIBRATION	10 ~ 500Hz, 5G 12min./1cycle, period for 72min. each along X, Y, Z				

		axes
SAFETY & EMC	SAFETY STANDARDS	Design refer to UL60950-1, TUV EN60950-1,
	WITHSTAND VOLTAGE	I/P-O/P:3.0KVAC
	ISOLATION RESISTANCE	I/P-O/P:>100M Ohms / 500VDC / 25°C/70% RH
	EMC EMISSION	Compliance to EN55022 (CISPR22) Class B, EN61000-3-2,-3
	EMC IMMUNITY	Compliance to EN61000-4-2,3,4,5,6,8,11; EN55024, heavy industry level (surge L-N:1KV ) , criteria A
OTHERS	MTBF	100000 hrs min. MIL-HDBK-217F (25°C)
	DIMENSION	33*28.7*22mm (L*W*H)

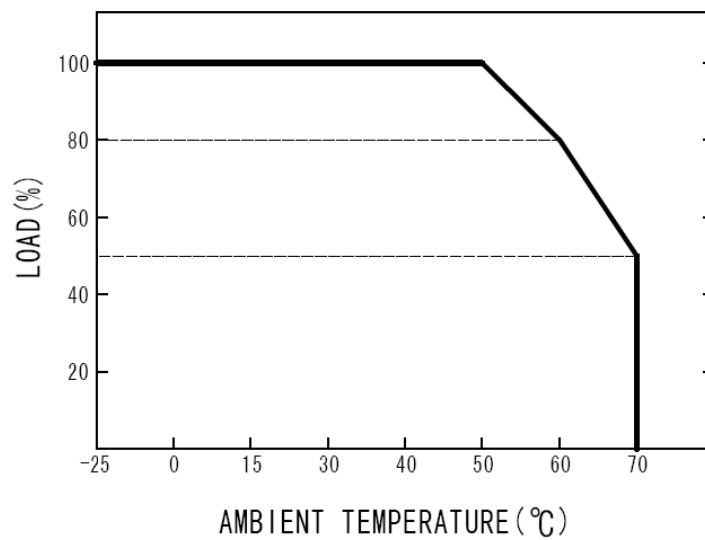
### Mechanical Specification:



## Block Diagram:



## Derating Curves:



## Output Derating VS Input Voltage:

